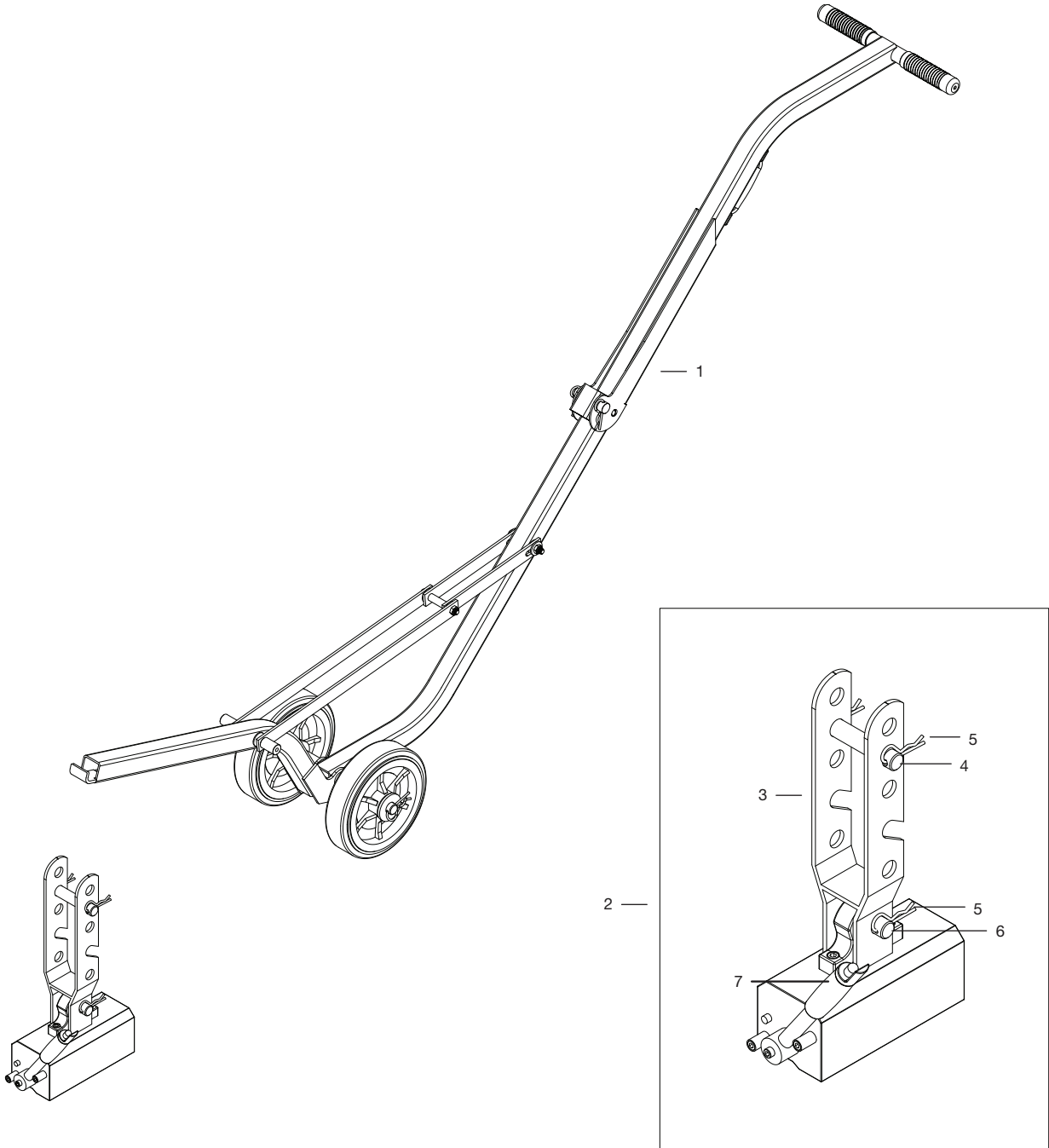




PRODUCT: MAGNETIC MANHOLE LID LIFTERS

PART NUMBER: 9401-25 (STEEL DOLLY & MAGNET)
 9401-25A (ALUMINUM DOLLY & MAGNET)
 9401-26 (STEEL DOLLY & HD MAGNET)
 9401-26A (ALUMINUM DOLLY & HD MAGNET)



KEY	PART #	DESCRIPTION	KEY	PART #	DESCRIPTION	KEY	PART #	DESCRIPTION
	9401-25	Steel Dolly and Magnet		9401-27A	Aluminum Dolly	5	9401-33C	Hairpin Cotter Pin
	9401-25A	Aluminum Dolly and Magnet	2	9401-28	Magnet	6	9401-28C	Clevis Pin (3/4" x 2 7/8")
	9401-26	Steel Dolly and HD Magnet		9401-28S	Heavy Duty Magnet	7	9401-28H	Handle
	9401-26A	Aluminum Dolly and HD Magnet	3	9401-28B	Magnet Bracket			
1	9401-27	Steel Dolly	4	9401-28D	Clevis Pin (3/4" x 3 7/8")			