

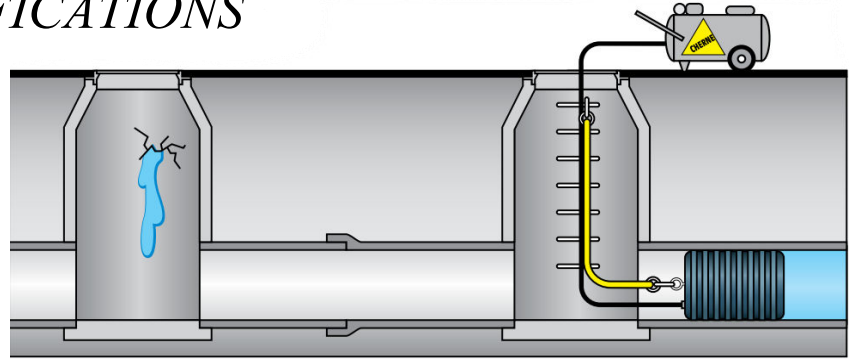


BLOCKING PLUGS (BACKS)

SPECIFICATIONS

Stemar back plugs are either 100% molded rubber or mostly rubber with metal plated ends and are used in “blocking only” applications.

Common applications include blocking sewer flow for pipeline rehabilitation, manhole repairs, wet-well style trash pump bypassing, blocking sewer odors & vapors, and/or riser-style water tests.



Plug Size	Stemar RC#	Mfg. Code	Usage Range (Pipe ID)	Inflation Pressure	Maximum Back Pressure	Product Weight	Deflated Length	Deflated Diameter	Inflation Thread (F-NPT)	Eye Bolts
4"-6"	2209	L	3.50"-6.25"	30 PSI	15 PSI	1 lbs	9.5"	3.5"	1/4"	(1) FRONT & BACK
4"-6"	2446	C	3.40"-6.25"	30 PSI	17 PSI	1.4 lbs	9.47"	3.28"	1/8"	(1) FRONT, 1/8"
6"-10"	2201	L	5.30" -10.25"	30 PSI	15 PSI	4 lbs	19.7"	5.00"	1/4"	(1) FRONT & BACK, 1/4"
6"-12"	2206	P	6"-12"	36 PSI	**	6 lbs	21"	5.6"	1/4"	(1) FRONT, 1/4"
8"-12"	2225	L	7.30"-12.25"	25 PSI	15 PSI	8 lbs	20"	7"	1/4"	(1) FRONT & BACK, 1/4"
8"-16"	2228	P	8"-16"	36 PSI	**	7 lbs	25"	7.6"	1/4"	(1) FRONT 1/4"
8"-16"	2230	C	7.5"-16.25"	30 PSI	**	14.5 lbs	29.5"	7.25"	1/4"	(1) FRONT & BACK, 1/4"
12"-18"	2232	L	11.5"-18.25"	25 PSI	15 PSI	29 lbs	28.5"	11"	1/4"	(3) FRONT & BACK, 5/16"
12"-24"	2336	L	11.5"-24.25"	25 PSI	15 PSI	33 lbs	41"	11"	1/4"	(3) FRONT & BACK, 5/16"
12"-24"	2236	C	11"-24.25"	30 PSI	**	28 lbs	39.5"	10.75"	1/4"	(2) FRONT & BACK 1/4"
15"-32"	2241	C	15"-32"	25 PSI	**	65 lbs	48"	14.3"	1/4" & 1/2"	(2) FRONT & BACK 3/4"
20"-40"	2217	P	20"-40"	22 PSI	**	39 lbs	47"	18.6"	1/4"	(2) FRONT 3/8"
20"-40"	2255	C	19"-40"	22 PSI	**	66 lbs	46.25"	18.5"	1/4" & 1/2"	(2) FRONT & BACK 3/4"
24"-42"	2259	C	22.5"-42.5"	25 PSI	**	100 lbs	52"	22"	1/4" & 1/2"	(2) FRONT & BACK 1/2"
24"-48"	2253	C	20.5"-50"	22 PSI	**	125 lbs	68"	19.1"	1/4" & 1/2"	(2) FRONT & BACK 3/4"
24"-60"	2261	C	20.5"-60.5"	22 PSI	**	140 lbs	88"	19.1"	1/4" & 1/2"	(2) FRONT & BACK 3/4"
40"-60"	2220	C	38"-60.5"	25 PSI	**	235 lbs	73"	36"	1/4" & 1/2"	(2) FRONT & BACK 3/4"
48"-72"	2266	C	44"-72.25"	12 PSI	**	290 lbs	100"	43"	1/2" & 1/2"	(3) FRONT & BACK 3/4"
54"-96"	2269	C	54"-96.25"	11 PSI	**	500 lbs	128"	50"	1/2" & 1/2"	(3) FRONT & BACK 3/4"
60"-96"	2223	L	58"-96.25"	10 PSI	6 PSI	517 lbs	110"	56"	1/4" & 3/4"	(3) FRONT & BACK 3/4"

****CONSULT BACK PRESSURE TABLE BELOW**

ALWAYS BLOCK PLUGS WHEN CONDUCTING AIR OR WATER TESTS

BACK PRESSURE TABLE (PSI): 1 PSI = 2.31 FT OF HEAD

PIPE INSIDE DIAMETER

Plug Size	Stemar RC#	6"	8"	10"	12"	16"	18"	20"	24"	30"	36"	40"	42"	48"	54"	60"	66"	72"	84"	96"
6"-12"	2206	31	29	-	17	-	-	-	-	-	-	-	-	-	-	-	-	-	-	-
6"-12"	2225	26	23	22	15	-	-	-	-	-	-	-	-	-	-	-	-	-	-	-
8"-16"	2228	-	31	-	24	17	-	-	-	-	-	-	-	-	-	-	-	-	-	-
8"-16"	2230	-	29	27	25	15	-	-	-	-	-	-	-	-	-	-	-	-	-	-
12"-24"	2236	-	-	-	18.7	16.8	15.2	12	13	-	-	-	-	-	-	-	-	-	-	-
15"-32"	2241	-	-	-	-	18.6	17.6	16.6	15.4	12.2	-	-	-	-	-	-	-	-	-	-
20"-40"	2217	-	-	-	-	-	-	14	11	8	7	-	-	-	-	-	-	-	-	-
20"-40"	2255	-	-	-	-	-	-	13.6	12.5	11.2	10.2	8.7	-	-	-	-	-	-	-	-
24"-42"	2259	-	-	-	-	-	-	-	15	13	11	9	9	-	-	-	-	-	-	-
24"-48"	2253	-	-	-	-	-	-	-	15.2	13.9	12.8	11.4	11.4	10.1	-	-	-	-	-	-
24"-60"	2261	-	-	-	-	-	-	-	15.6	15.2	14.8	14	14	12.6	9.6	6	-	-	-	-
40"-60"	2220	-	-	-	-	-	-	-	-	-	-	15	15	13	11	8.7	-	-	-	-
48"-72"	2266	-	-	-	-	-	-	-	-	-	-	-	-	7.2	6.8	6.4	6.2	6	-	-
54"-96"	2269	-	-	-	-	-	-	-	-	-	-	-	-	-	7.3	7.2	6.9	6.8	6.6	6.4